

# Safe Lifters

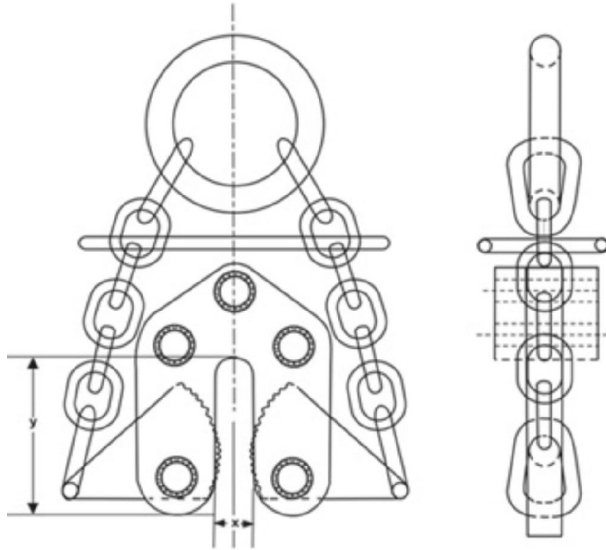
Pundol Apartments, Shop No. 5 & 6, 160 M.G. Road,  
Pune - 411001, (India) Tel +91 20 66013783 / 84 / 85 / 86  
Fax +91 20 26350832 Email : safelifters@eth.net



## Vertical Plate Lifting Clamp

### SLVC-60

Local Vertical Plate Lifting Clamps

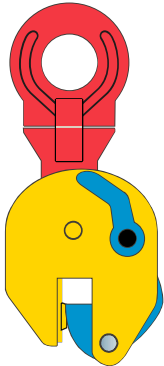


Lifting Capacity (Tons)	Plate Admit x (mm)	Throat Depth y (mm)
1	0-28	105
2	0-30	105
3	0-45	128
5	0-45	128
7	0-80	185
10	0-80	185

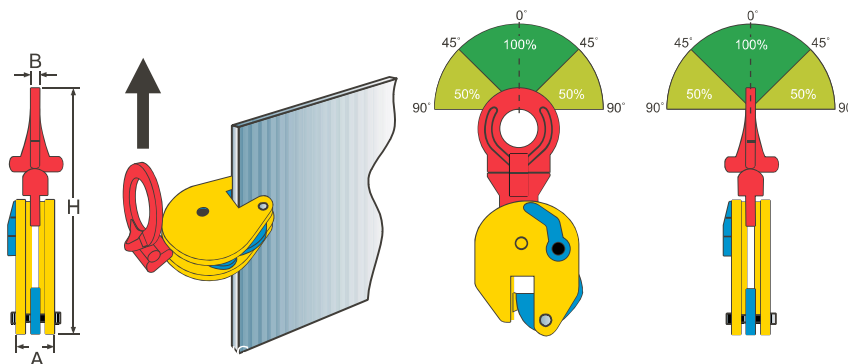
Specifications given are indicative and are subject to change.

Dimension x can be altered as per customer's requirement

### SLVC-61



- For lifting and transportation of steel plates and structures from all positions (horizontal, vertical and sidelong).
- With reinforced body.
- Articulated lifting shackle.
- The VC-61 lifting clamps are equipped with a safety mechanism, the clamp does not slip when lifting force is applied and when load is being lowered.



TYPE	CAPACITY (TON/PC)	JAW-OPENING (MM)	A	B	H	Weight (kg/pc)
SLVC-61/1T	1	0-16	50	12	294	4.8
SLVC-61/2T	2	0-25	52	16	370	6.3
SLVC-61/3T	3	0-32	78	20	418	15
SLVC-61/5T	5	0-50	88	22	450	23

Specifications given are indicative and are subject to change.