

WARNING

DO NOT EXCEED WORKING LOAD LIMIT.

USE ONLY G80 & G100 COMPATIBLE COMPONENTS FOR OVERHEAD LIFTING.



Safe Lifters

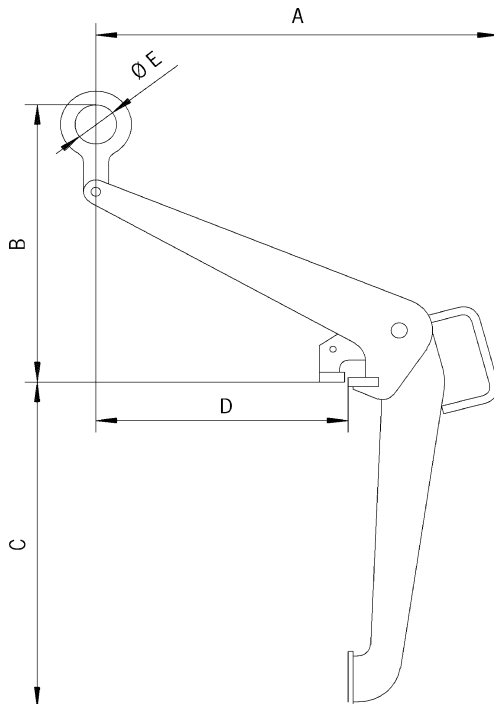
Pundol Apartments, Shop No. 5 & 6, 160 M.G. Road,
Pune - 411001, (India) Tel +91 20 66013783 / 84 / 85 / 86
Fax +91 20 26350832 Email : safelifters@eth.net

Drum Lifting Clamp

for the transportation of upright barrels with a bead.

Its light weight and small overall design makes it ideal for picking up barrels that sit tightly on pallets. The center of gravity of the barrel is the lifting point during transport.

Model	Capacity kg	Weight kg	A mm	B mm	C mm	D mm	Ø E mm
SLCD75	500	7,3	479	350	410	300	50



For drums according to DIN 6643