

WARNING

DO NOT EXCEED WORKING LOAD LIMIT.

USE ONLY G80 & G100 COMPATIBLE COMPONENTS FOR OVERHEAD LIFTING.



Safe Lifters

Pundol Apartments, Shop No. 5 & 6, 160 M.G. Road,
Pune - 411001, (India) Tel +91 20 66013783 / 84 / 85 / 86
Fax +91 20 26350832 Email : safelifters@eth.net

Drum Lifting Clamp

for the transport of upright barrels
– suited for multi-chain systems

Application

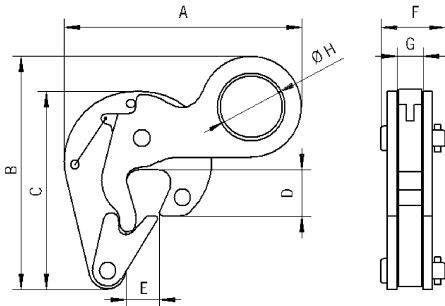
The SLCD74 Drum Lifting clamp can be used individually, as a pair, or as a multi-chain system.

Function

The clamp grabs under the rim of the barrel.
A spring-loaded cam prevents the accidental opening of the clamp.



Model	Capacity kg	Weight kg	A mm	B mm	C mm	D mm	E mm	F mm	G mm	Ø H mm
SLCD74	500	1,5	152	150	127	30	21	41	17	40



For drums according to DIN 6643