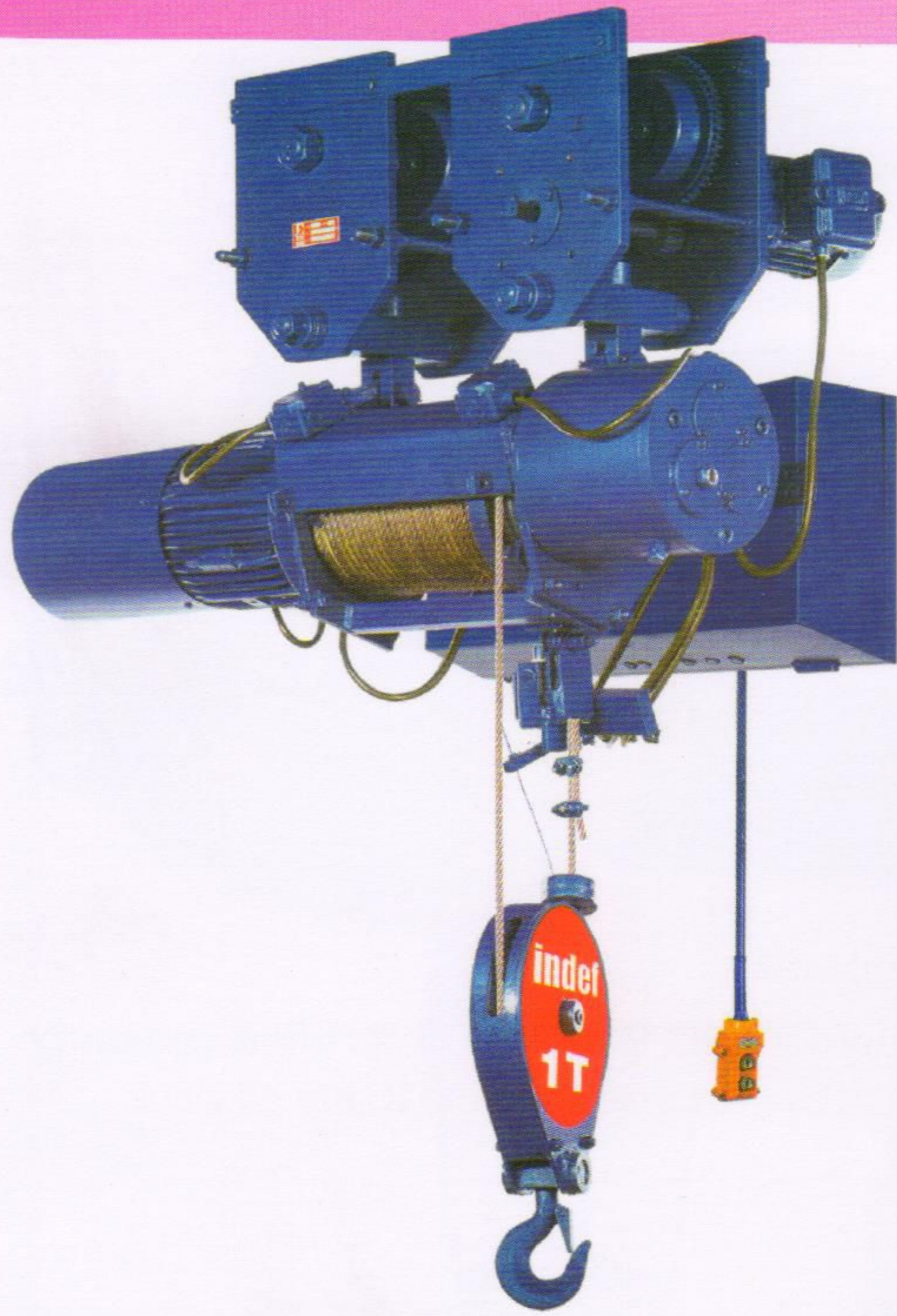


Heavy duty wire rope hoist

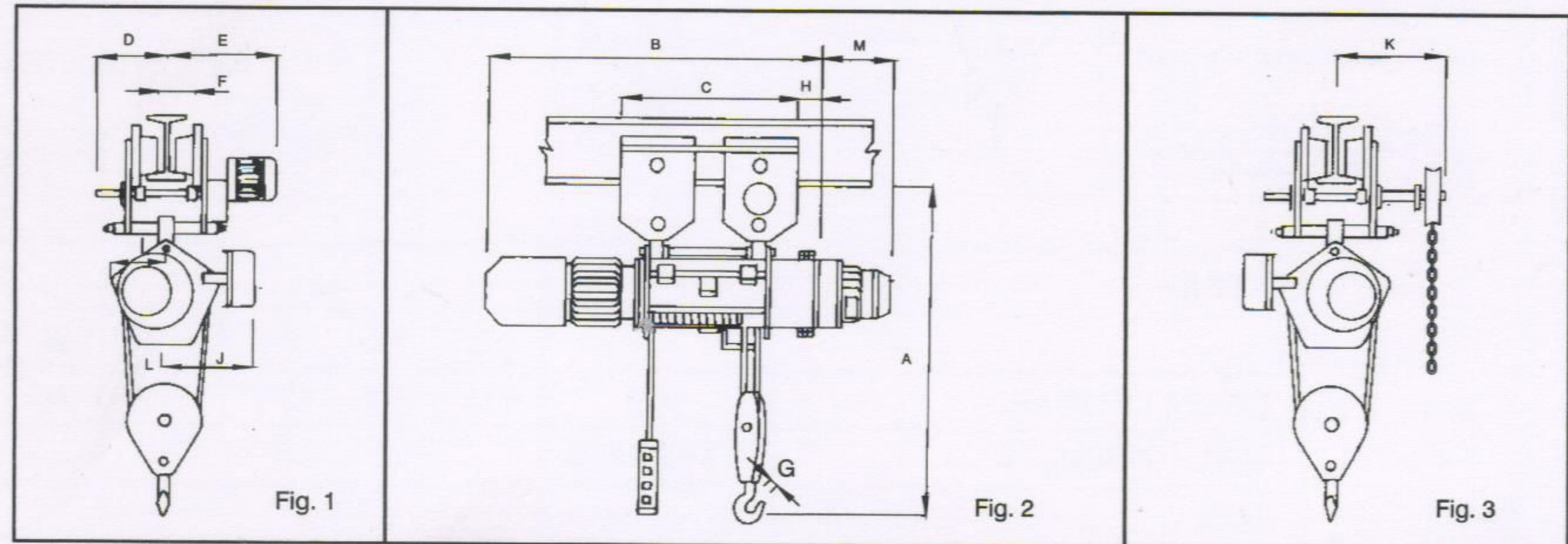


Model - WRH-I, II, III

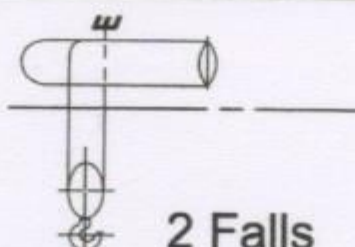
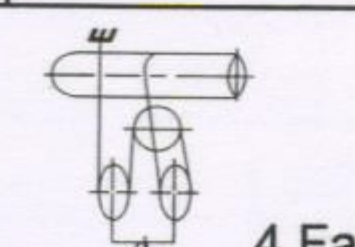
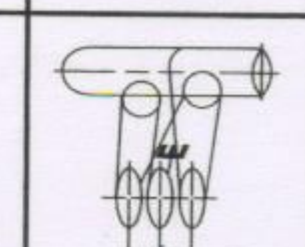
- Heavy duty class IV robust design
Smooth operation even in toughest of application.
- Manufactured in ISO 9001:2008 certified company
Assured quality and interchangeability of parts.
- Truly modular constructor
Easily accessible separate brake, motor, drum, gear box & panel unit.
- Seamless pipe accurately machined rope drum
Long life
- Unique and sturdy rope guide arrangement
Prevents rope slackening and easy change of rope
- Precision machine cut case-hardened alloy steel gears
Noiseless operation longlife
- Fail safe disc brake
Trouble free operation and ease of adjustment
- Built in control panel with std. electricals
Ready to use.

Add on features:

- Remote control, VVVF drive, special lower blocks, PLC.
- Multiple hoist tandom automated operation.
- Flame proof models.



SPECIFICATIONS / DIMENSIONS (mm)

Type	WRH I			WRH II			WRH III *			WRH I			WRH II			WRH III *			WRH III *		
Model	NP101			NP 201			P301			NP102			NP202			P302			P303		
Class	IV			IV		II	IV			IV			IV		II	IV			IV	II	
S.W.L. MT.	1.0			2.0		2.5	3.0			2.0			4.0		5.0	6.0			7.5	10.0	
Lift (Mtrs.)	6	12	20	6.6	11.4	19.2	7	12	20	3	6	10	3.3	5.7	9.6	3.5	6	10	4	6	
Approx. Wt. (Kg.)	264	286	322	386	414	459	533	546	568	296	318	354	478	497	563	638	818	828	900	1000	
Dim. B	1075	1285	1555	1170	1340	1610	1255	1425	1695	1075	1285	1555	1170	1340	1610	1255	1425	1695	1425	1695	
Dim. C	552	752	1022	588	758	1028	635	805	1075	552	752	1022	635	805	1075	635	805	1075	1050	1295	
Hoisting speed m/min	9			8			8			4.5			4			4			2.66		
Hoisting motor H.P. (K.W.)	3 (2.2)			5 (3.7)			7.5 (5.5)			3 (2.2)			5 (3.7)			7.5 (5.5)			7.5 (5.5)		
Travelling speed ♦ m/min	17			17			17			17			17			17			17		
Travelling motor H.P. (K.W.)	0.25 (0.18)			0.25 (0.18)			0.5 (0.37)			0.25 (0.18)			0.5 (0.37)			0.75 (0.55)			0.75 (0.55) (2 nos.)		
Min. Height of 'I' beam (mm)	175			175			250			175			250			250			300		
F min. - max.	■ 90 - 180			■ 90 - 180			125 - 210			■ 90 - 180			125 - 210			125 - 210			**		
A Headroom	1170			1370			1480			1110			1345			1460			1825		
D min. - max.	151 - 196			151 - 196			163 - 178			151 - 196			163 - 178			163 - 178			452 - 487		
E * min. - max.	399 - 444			399 - 444			412 - 457			399 - 444			412 - 457			412 - 457			452 - 487		
G	31			37 - 42			42			37			51			67			89		
H	130			143			140			130			120			140			371		
I	230			290			330			320			405			480			371		
J	270			315			365			305			350			395			625		
K				305									305						495		
M +				380									380						380		
No. of falls construction							 2 Falls									 4 Falls			 6 Falls		

NOTE :

- ♦ Higher travelling speed of 26 m/min. can be offered.
- ** For 7.5T / 10T capacity trolley is not adjustable at site - exact flange width (within 140 to 210 mm) to be given.
- * Add 125 mm if CT with brake (Brake is at extra cost.)
- + Applicable for creep speed model only.
For monorails stiffened width plates, please check up for operating clearance in trolley.
- Check 'I' Beam mounting arrangements, trolley plates will project 10 mm above 'I' beam.
- ★ Model available only for flame proof design.

Data tolerance ± 10%