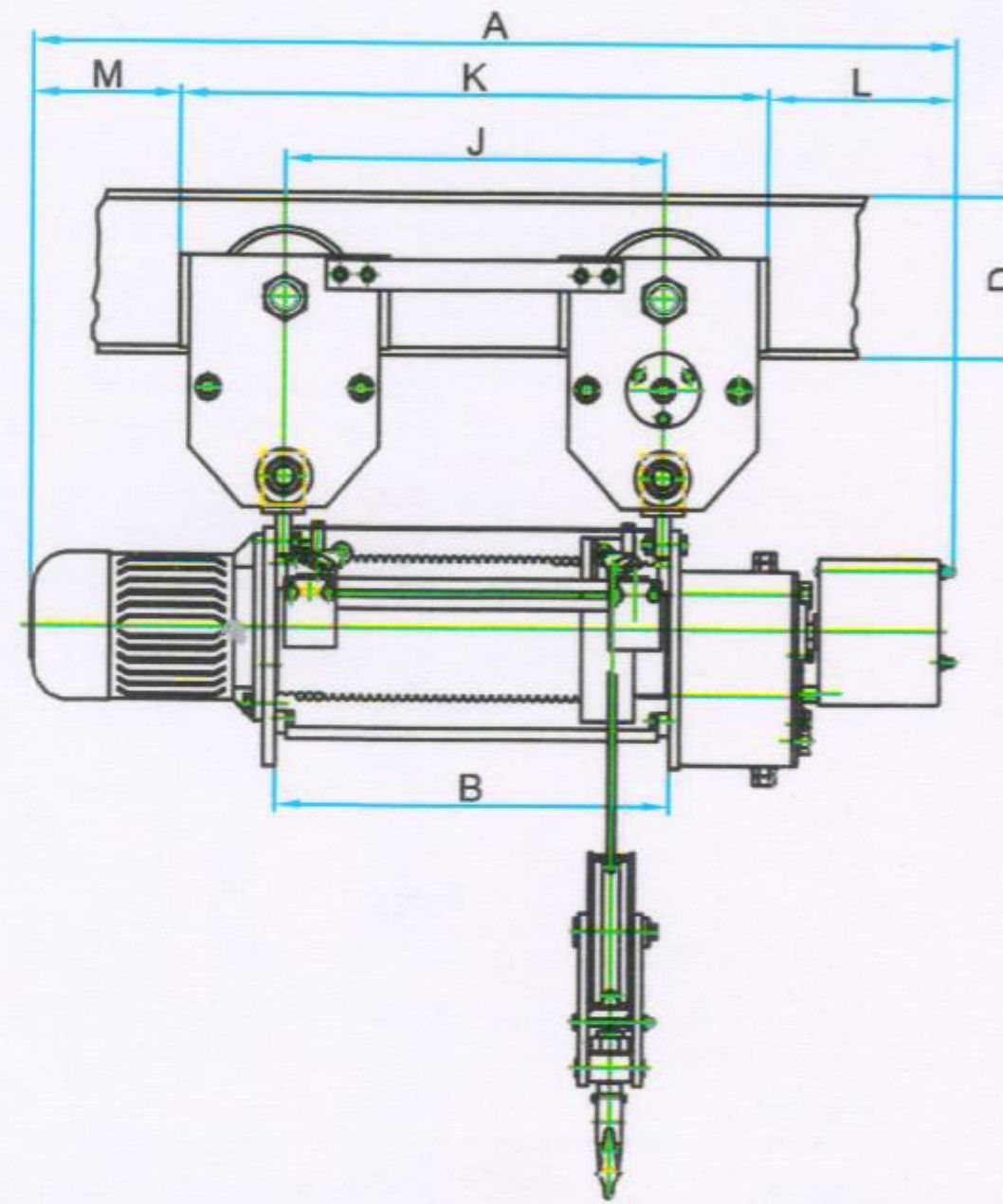
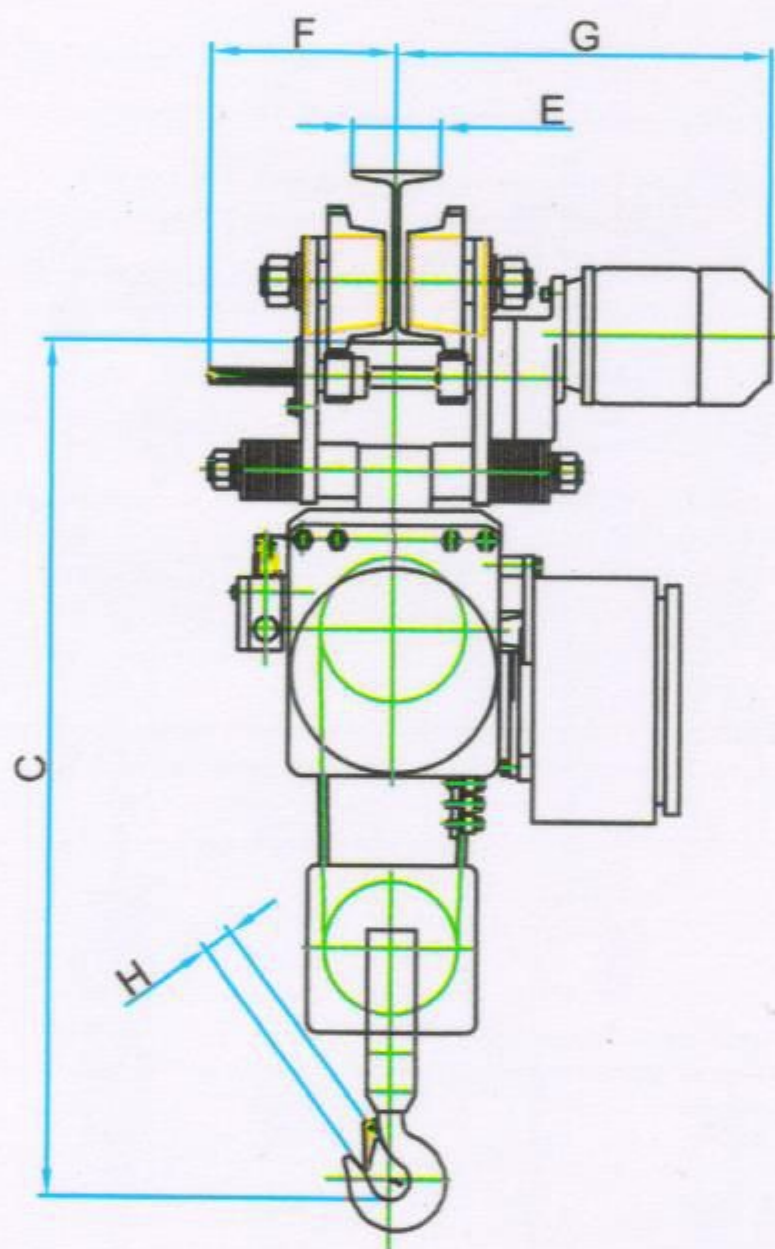


# Medium duty wire rope hoist



## Model - WRH NO / N

- ▷ Manufactured in ISO 9001:2008 certified company  
**Assured quality and interchangeability of parts**
- ▷ Truly modular constructor  
**Easily accessible separate brake, motor, drum, gear box & panel unit**
- ▷ Seamless pipe accurately machined rope drum  
**Long life**
- ▷ Unique and sturdy rope guide arrangement  
**Prevents rope slackening and easy change of rope**
- ▷ Precision machine cut case-hardened alloy steel gears  
**Noiseless operation longlife**
- ▷ Fail safe disc brake  
**Trouble free operation and ease of adjustment**
- ▷ Built in control panel with std. electricals  
**Ready to use**



SPECIFICATIONS / DIMENSIONS (mm)

		WRH NO								WRH N					
Capacity (SWL)	MT	0.5				1				2			3		
Lift	Mtrs.	3.5	6	9	12	3.5	6	9	12	5.2	8.2	11.2	3.4	5.4	7.4
A	mm	867	974	1103	1232	867	974	1103	1232	990	1119	1248	990	1119	1248
B	mm	316	423	552	681	316	423	552	681	385	514	643	385	514	643
Approx. Weight	Kg	114	160	170	175	119	164	175	180	225	240	255	300	315	330
No. of Falls		<p style="text-align: center;">2 FALLS</p>								<p style="text-align: center;">3 FALLS</p>					
Hoist speed	MPM	5				5				5			3.3		
Trolley speed	MPM	15				15				15			15		
Hoist motor	HP	1.5 (1.11 KW)				1.5 (1.11 KW)				3 (2.2 KW)			3 (2.2 KW)		
Trolley motor	HP	0.25 (0.18 KW)				0.25 (0.18 KW)				0.25 (0.18 KW)			0.5 (0.37 KW)		
C	Head room	790				880				1070			1315		
D	Min. beam height	175				175				175			175		
E	Min. flange	90				90				90			90		
	Max. flange	210				210				210			210		
F	for min. flange	189				189				189=G *			189=G *		
	for min. flange	169				169				169=G*			169=G *		
G	for max. flange	381				381				381			381		
	for max. flange	441				441				441			441		
H		31.5				31.5				34			42		
J	mm	300	407	536	665	300	407	536	665	369	498	627	369	498	627
K	mm	524	631	760	889	524	631	760	889	593	722	851	593	722	851
L	mm	187				187				197			197		
M	mm	156				156				200			200		
C	Head room (with O.L.D.)	890				980				1070			-		

Data tolerance ± 10%