

indef

PUSH-PULL/GEARED TRAVELLING TROLLEY



- Available in push or hand geared travel.
- Anti drop and de-railing guide
- Precision-machine runners mounted on sealed ball bearings.
- Available in three basic range with further adjustment of flange width.
- Anti-corrosive powder coated finish.

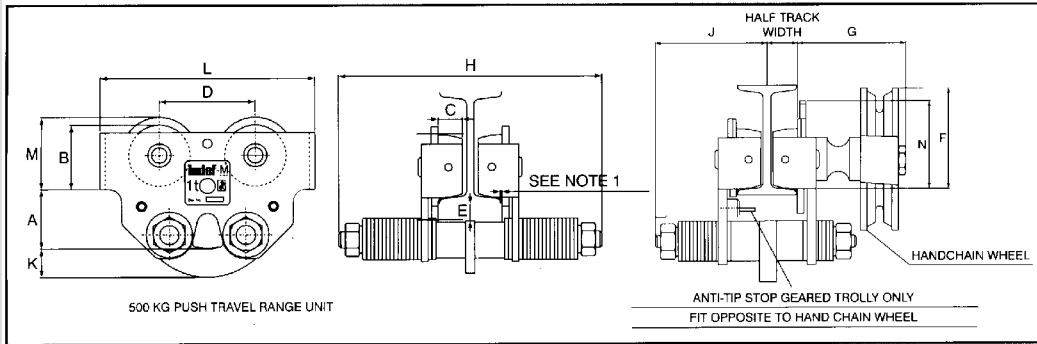


TUV NORD

ALSO AVAILABLE
New Generation precision
engineered compact
Trolleys

PUSH-PULL / GEARED TRAVELLING TROLLEY

DIMENSIONS, WEIGHTS AND PERFORMANCE DATA (mm)



Capacity		MT	Push 0.5	Push 1	Geared 3	Geared 5	Geared 10
Inside of Wheel flanges mm	Range 1		50-130	58-150	90-160	110-150	140-180
	Range 2		140-200	150-210	160-220	160-210	190-210
	Range 3		210-305	210-305	220-305	215-265	215-245
A Seat of susp. plate to runner tread/Beam Bottom	Range 1 & 2	mm	75	89	110		
	Range 3	mm	115	129	155	84	137
B Runner tread diameter		mm	50	65	90	175	225
C Runner tread width		mm	20	25	30	45	50
D Runner centres	(push)	mm	70	90	125	-	-
	(geared)	mm	-	128	157	253	313
E Underside of runner to suspension plate			18	28	28	-	-
F Underside of runners to top of hand chain wheel, geared travel only		mm	101	106	123	-	-
G Beam flange to shaft end		mm	-	124	124	180	275
H Overall width, push travel only	Range 1	mm	210	248	276		
	Range 2	mm	320	320	340		
	Range 3	mm	410	410	425		
J Crossbolt to track centreline on ungeared side (geared trolleys only)	Range 1	track widths J mm	-	58-100	100-126		
			-	132	152	170	210
		track widths J mm	-	100-140	126-153		
	Range 2	track widths J mm	-	120	134		
		track widths J mm	-	140-166	153-192		
		track widths J mm	-	164	184	200	225
	Range 3	track widths J mm	-	166-210	192-216		
		track widths J mm	-	152	166		
		track widths J mm	-	210-263	216-263		
track widths J mm	-	238	205	225	240		
track widths J mm	-	263-305	263-305				
track widths J mm	-	205	213				
K Depth of plate Range 1, 2 & 3		mm	21	21	34	-	-
L Overall length	(push)	mm	160	200	275	-	-
	(geared)	mm	-	238	350	550	690
M Underside of runner to flange (push)		mm	60	75	105	-	-
N Underside of runner to gear tip (geared)		mm	-	90	115	-	-
Minimum radius of track curve mm	(push)		1250	1500	1500	-	-
	(geared)		-	1500	1500	2600	3200
Push travel weight in Kg	Range 1		4.0	10.5	18.5		
	Range 2		4.5	11.0	20.0		
	Range 3		6.5	14.5	25.5		
Geared travel weight in Kg	Range 1		-	11.5	20.0	70	151
	Range 2		-	12.5	21.5	72	153
	Range 3		-	16.0	27.0	75	155

Data Tolerance ± 10%

1. Nominal 1.5 mm clearance to be allowed from edge of track flange to inside of wheel flange (3mm overall on both side)
2. Overall width of geared travel trolleys = J + (1/2 x track width) + G. On 500 to 2500 Kg. units when using the narrower track widths the crossbolt adjusting washers are to be assembled such that the end of the crossbolt is clear of the handchain wheel.
3. Weight of trolleys only exclude hand chain. Hand chain is 0.45kg/m per linear length.
4. Bottom of handchain loop is 800 mm from ground level.
5. Pusher bar fixing holes provided upto 3T models.
6. Anti-tip stop fitted to all hand geared versions upto 3T models
7. Buffers available as an option.



Safe Lifters

Pundol Apartments, Shop No. 5 & 6, 160 M.G. Road,
Pune - 411001. (India) Tel +91 20 66013783 / 84 / 85 / 86
Fax +91 20 26350832 Email : safelifters@eth.net