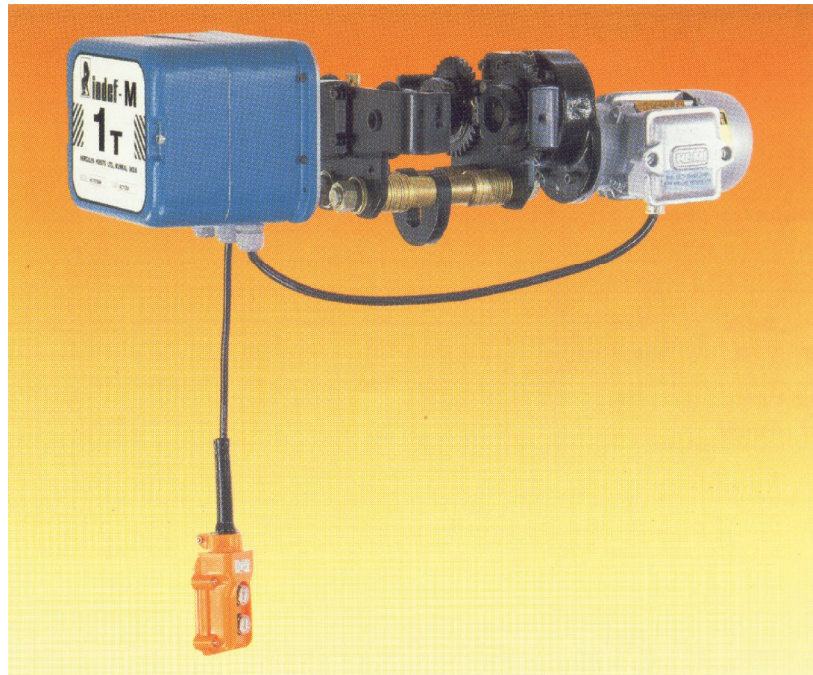


indef

INDEF-M ELECTRIC TRAVELLING TROLLEY



- ❧ Anti drop and de-railing guide.
- ❧ Precision-machined runners mounted on sealed ball bearings.
- ❧ Available in three basic range with further adjustment of flange width.
- ❧ Anti Corrosive Powder coated finish.
- ❧ In built control panel ready to use.



TUV NORD

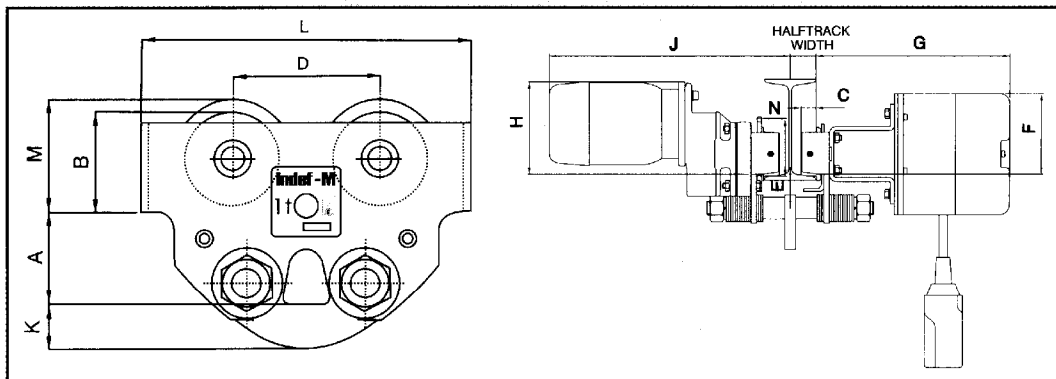
ALSO AVAILABLE
Flame Proof
chain electric
hoists

INDEF M-ELECTRIC TRAVELLING TROLLEY

DIMENSIONS, WEIGHTS AND PERFORMANCE DATA

Capacity			Kg.		Electric	
					1000	3000
Inside of	Range 1				58-150	90-160
Wheel flanges	Range 2				150-210	160-220
mm	Range 3				210-305	220-305
A Seat of susp. plate	Range 1 & 2				89	110
to runner tread mm	Range 3				129	155
B runner tread diameter	mm				65	90
C runner tread width	mm				25	30
D runner centres	mm				128	157
E underside of runner to suspension plate					28	28
F underside of runners to top of Control Panel	mm				120	120
G beam flange to Panel end	mm				287	287
H underside of runner to top of motor					138	138
J track centreline and to motor	Range 1	track widths J mm			58-150 350-390	90-160 360-395
	Range 2	track widths J mm			150-210 390-420	160-220 395-425
	Range 3	track widths J mm			210-305 420-470	220-305 425-470
K depth of plate	Range 1,2&3 mm				21	34
L overall length	mm				238	350
M underside of runner to flange (push) mm					75	105
N underside of runner to gear tip (geared) mm					90	115
Minimum radius of track curve mm					1500	1500
Electric travel Weight in Kg	Range 1				22	31
	Range 2				23	33
	Range 3				26	38
Speed M/Min.					20	20
Motor HP/RPM					0.5/3000	0.5/3000

Data Tolerance ±10%



- Nominal 1.5 mm clearance to be allowed from edge of track flange to inside of wheel flange (3mm overall on both side)
- Bottom of Pendant is 500 mm from ground level.
- Pusher bar fixing holes provided in all models.
- Buffers available as an option.
- Overall width of travel trolleys = $J + (1/2 \times \text{track width}) + G$. Units when using the narrower track widths the crossbolt adjusting washers are to be assembled such that the end of the crossbolt is clear of the panel.
- Optional Trolley Speed 1.6, 3.2, 5.1, 6.8 & 10.



Safe Lifters

Pundol Apartments, Shop No. 5 & 6, 160 M.G. Road,
Pune - 411001. (India) Tel +91 20 66013783 / 84 / 85 / 86
Fax +91 20 26350832 Email : safelifters@eth.net