



**indef**

# TRIPLE SPUR GEAR CHAIN PULLEY BLOCK MODEL P



- ▶ ISI Marked Manufactured in ISO 9001 : 2000 certified company  
*Assured quality & interchangeability of parts*
- ▶ Tested as per ISI procedure for 50% over load  
*Assured safety*
- ▶ Grade 80 load chain & zinc plated hand chain  
*Longer chain life*
- ▶ Rugged German design, in use for more than 30 years  
*Assured reliability*
- ▶ Double ball bearing supported load wheel  
*Smooth operation*
- ▶ Precision machine case hardened alloy steel gears  
*Long life, noiseless operation*
- ▶ Fully pocketed S.G. iron cast load chain wheel  
*Long life, safe and smooth running*
- ▶ Anti corrosive powder coated zinc plated parts  
*Anti rust & better aesthetics*



**TUV NORD**

**ALSO AVAILABLE**  
Indef M Light Weight Model,  
and Spark Proof,  
Chain Pulley  
blocks

# TRIPLE SPUR GEAR CHAIN PULLEY BLOCK

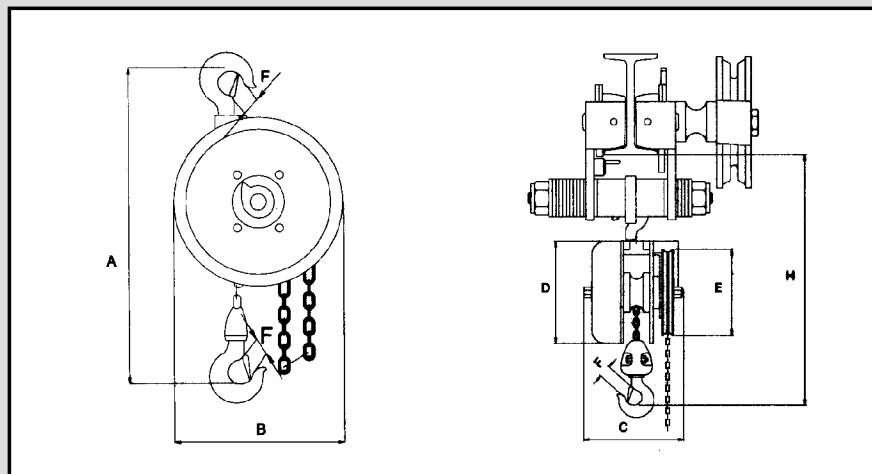
## MODEL P

### SPECIFICATIONS / DIMENSIONS (mm)

Capacity	MT	0.5	1	2	3	5	7.5	10
No. of falls		1	1	2	2	2	3	4
Running pull on hand chain	Kgs.	13	26	28	43	49	50	61
Weight at 3 metre lift (approx.)	Kgs.	21	21	30	35	60	88	126
Extra weight per additional metre lift (approx.)	Kgs.	2.9	2.9	4.3	4.3	5.2	7.0	14.4

Capacity MT	A	B	C	D	E	F	H	Mono blocks (not shown) H	Thrust bearing in bottom block H
0.5 T	460	210	180	210	195	31	550	500	580
1 T	460	210	180	210	195	31	550	500	580
2 T	560	240	180	210	195	37	665	620	760
3 T	625	240	200	210	195	42	759	635	825
5 T	810	320	225	275	270	51	885	780	1010
7.5 T	910	455	225	275	270	75	1017	952	1135
10 T	990	515	225	275	270	75	1120	1025	1240

All dimensions in mm.  
Data tolerance  $\pm 10\%$ .



## Safe Lifters

Pundol Apartments, Shop No. 5 & 6, 160 M.G. Road,  
Pune - 411001. (India) Tel +91 20 66013783 / 84 / 85 / 86  
Fax +91 20 26350832 Email : safelifters@eth.net